

Internal Combustion Forklift

1.5t/1.8t/2.0t/2.5t/3.0t/3.5t

D series

SHANTUI
VALUE THAT WORKS

Shantui Construction Machinery Co., Ltd.

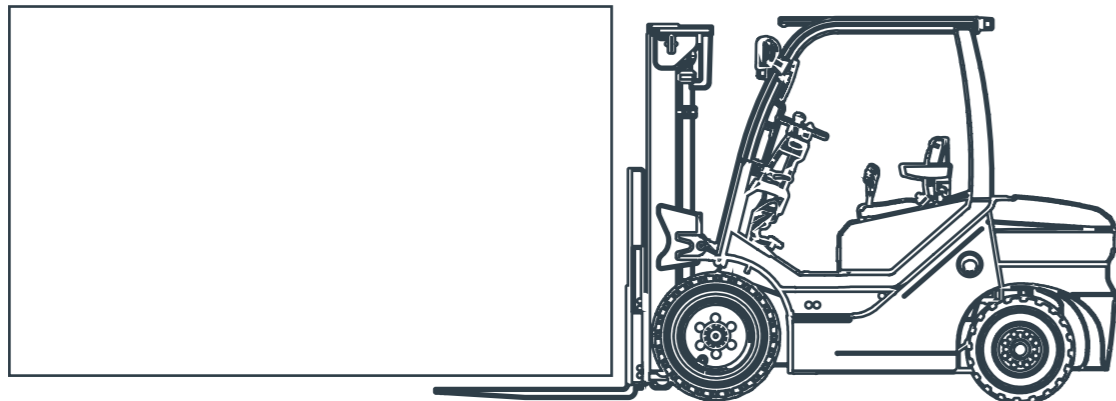
ADDRESS:

No. 58, G327 Highway
Jining City, Shandong, CHINA

TEL: +86-537-2909369

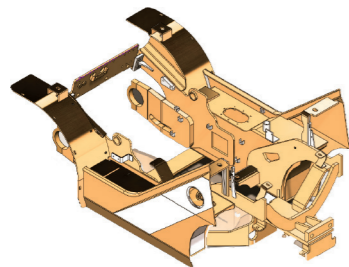
FAX: +86-537-2311219

EMAIL: trade@shantui.com





ROBUST



Standard chassis



Multiple engines with high efficiency

Baoli offers a wide range of engine options, which is available for various applications and customer needs.



KION transmission

Automatic Transmission is customized into KION standard, for use in more intense applications.

* De-coupled transmission is also available for D+ forklifts.

VERSATILITY



Engineering sweeping forklift



Anti-corrosion forklift



Forklift with cabin

Remark: This leaflet is applicable for D series forklifts ranging from 1.5t to 3.5t, including both D basic and D plus.

Remark: For more options of the models and attachments, please contact with your local sales office for details.

ERGONOMIC



Cushion Gasket

There are 4 rubber dampers between cabin and chassis, vibration is minimized.



Engine Bonnet Insulation

Engine bonnet insulation to further reduce noise, the noise level is in conformity with CE and UL standard.



Side Operation Lever

European style Side Control.



Low-torque small steering wheel

Low torque steering unit & small steering wheel is applied to reduce the operator fatigue.

ACTIVE SAFETY



Overhead Guard

Easy in visibility.



Down-curved counterweight & Structure painting

With lowest gravitycenter and widest rear view among its kind; and KION standard structure painting helps to improve safety and is easy to touch-up.



Soft landing mast

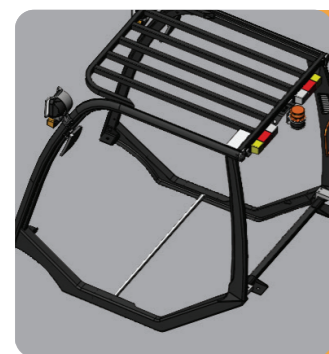
Buffering cylinder is easier to handle fragile.



Rear Grip

Convenient and safe for operator to reverse the truck; * D+ forklifts: It's a comfortable rubber rear-handrail integrated with a horn button.

SERVICE FRIENDLY



Suspension Cabin

Removable suspension cabin for easy overhaul repairing.



Engine Bonnet

External bonnet friendly, and ensures a 90 Degree opening angle.

UNIQUE FEATURES FOR D+



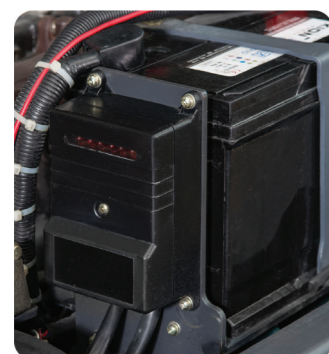
Operation Platform

Operator friendly interface and fully plastic covered, with LCD display and large space in leg room.



Electronic Directional Switch

Power shift improving the operation efficiency.



Control Box

Integrated control box providing reliable electric system and easy diagnose.



Holes on the F double front tyres

Specially designed front fender with holes for from single tyres into dual tyres.



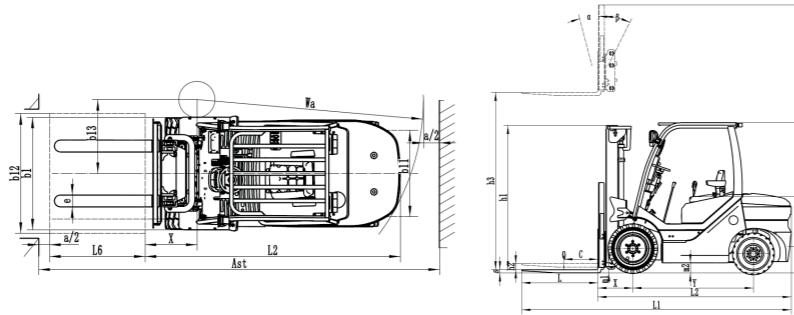
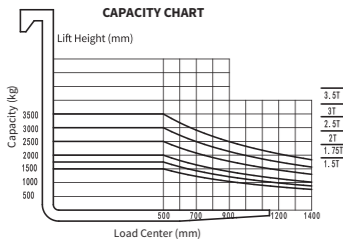
Ergonomic releasing switch

Easy for foot parking.



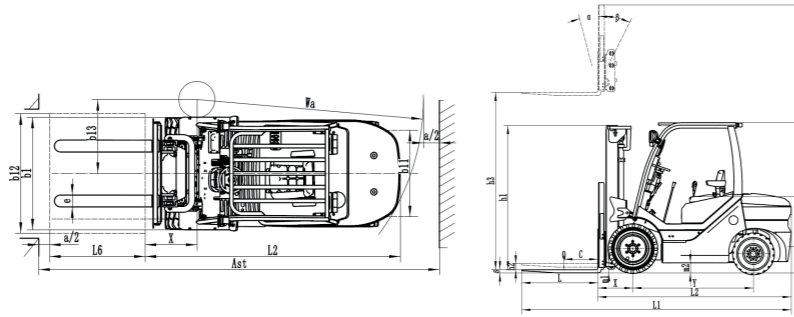
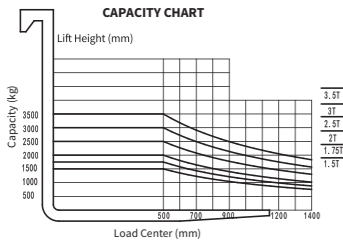
Overhead guard

Shock-Resistant PC rain-proof & easy in visibility and use in all weather conditions.



SPECIFICATIONS

	ITEM DESCRIPTION	UNIT	DESIGN VALUE											
			SFD15	SFD15	SFD18	SFD18	SFD20	SFD20	SFD25	SFD25	SFD25	SFD25	SFD25	SFD25
Speci cation	1.3	Power type: Electric-Diesel-Petrol-LPG-Network Power (Electric)	diesel	diesel	diesel	diesel	diesel	diesel	diesel	diesel	diesel	diesel	diesel	diesel
	1.4	Operation Type: Hand-stand on-Driver seated	Driver seated	Driver seated	Driver seated	Driver seated	Driver seated	Driver seated	Driver seated	Driver seated	Driver seated	Driver seated	Driver seated	Driver seated
	1.5	Load Capacity	Q(Kg)	1500	1500	1800	1800	2000	2000	2500	2500	2500	2500	2500
	1.6	Load Barycenter Distance	C(mm)	500	500	500	500	500	500	500	500	500	500	500
	1.8	Axle centre to fork face	X(mm)	435	435	435	435	435	435	484	484	484	484	484
	1.9	Wheel Base	Y(mm)	1500	1500	1500	1500	1500	1500	1700	1700	1700	1700	1700
Weight	2.1	Service Weight	kg	3040	3000	3210	3160	3280	3220	3950	3950	4120	3960	3960
	2.2	Axle loading, laden front/rear	kg	3840/700	3820/680	4330/680	4220/720	4540/700	4520/660	6340/610	6340/610	6080/680	5980/680	5980/680
	2.3	Axle loading, unladen front/rear	kg	1380/1660	1360/1640	1340/1870	1300/1860	1320/1960	1300/1920	1880/2250	1880/2250	1800/2300	1680/2280	1680/2280
wheels and tyres	3.1	Tyres: SE-Super elastic PN-Pneumatic		PN	PN	PN	PN	PN	PN	PN	PN	PN	PN	PN
	3.2	Front Tyres Size		6.50-10-14PR	6.50-10-14PR	6.50-10-14PR	6.50-10-14PR	6.50-10-14PR	6.50-10-14PR	28 x 9-15-14PR	28 x 9-15-14PR	28 x 9-15-14PR	28 x 9-15-14PR	
	3.3	Rear Tyres Size		5.00-8-10PR	5.00-8-10PR	5.00-8-10PR	5.00-8-10PR	5.00-8-10PR	5.00-8-10PR	6.50-10-10PR	6.50-10-10PR	6.50-10-10PR	6.50-10-10PR	
	3.6	Front Track Width	b10 (mm)	940	940	940	940	940	940	1000	1000	1000	1000	1000
Dimensions and Overall Sizes	4.1	Mast lift,forward/backward	(/ad) Gr	6°/12°	6°/12°	6°/12°	6°/12°	6°/12°	6°/12°	6°/12°	6°/12°	6°/12°	6°/12°	6°/12°
	4.2	Mast Minimum Overall Height	h1(mm)	2002	2002	2002	2002	2002	2002	2080	2080	2080	2080	2080
	4.3	Free lift	h2(mm)	128	128	128	128	128	128	140	140	140	140	140
	4.4	Lift height	h3(mm)	3000	3000	3000	3000	3000	3000	3000	3000	3000	3000	3000
	4.5	Mast Maximum Overall Height	h4(mm)	4040	4040	4040	4040	4040	4040	4050	4050	4050	4050	4050
	4.7	Overhead Guard Height	h6(mm)	2065	2065	2065	2065	2065	2065	2108	2108	2108	2108	2108
	4.8	Seat Height	h7(mm)	1010	1010	1010	1010	1010	1010	1085	1085	1085	1085	1085
	4.12	Drawbar Height	h10(mm)	220	220	220	220	220	220	300	300	300	300	300
	4.19	Overall Length	L1(mm)	3282	3282	3316	3316	3490	3490	3730	3730	3730	3730	3730
	4.20'	Lenght to Face of Forks	L2(mm)	2362	2362	2396	2396	2420	2420	2660	2660	2660	2660	2660
	4.21	Overall Width	b1(mm)	1140	1140	1140	1140	1140	1140	1225	1225	1225	1225	1225
	4.22	Fork Arms Dimensions	s/e/l(mm)	35/120/920	35/120/920	35/120/920	35/120/920	40/122/1070	40/122/1070	40/122/1070	40/122/1070	40/122/1070	40/122/1070	40/122/1070
	4.23	Fork Carriage in Compliance with ISO 2328 Class/Form A,B		A	A	A	A	A	A	A	A	A	A	A
	4.24	Fork Carriage Width	b3(mm)	1040	1040	1040	1040	1040	1040	1040	1040	1040	1040	1040
	4.31	Ground Clearance below Mast(laden)	m1(mm)	110	110	110	110	110	110	135	135	135	135	135
	4.32	Ground Clearance Centre of Wheelbase(laden)	m2(mm)	105	105	105	105	105	105	140	140	140	140	140
	4.34.1	Working aisle width with pallet 1000 x 1200 crossways****	Ast(mm)	3795	3795	3815	3815	3835	3835	4124	4124	4124	4124	4124
	4.34.2	Working aisle width with pallet 800 x 1200 lengthways****	Ast(mm)	3995	3995	4015	4015	4035	4035	4324	4324	4324	4324	4324
4.35	Turning Radius	Wa(mm)	2160	2160	2180	2180	2200	2200	2440	2440	2440	2440	2440	
4.36	Turning Point Minimum Distance from the Truck Center Line	b13(mm)	601.5	-	601.5	-	601.5	-	810	810	810	810	810	
Performance	5.1	Drive Speed laden/unladen	km/h	16/16	13.9/14.4	15/16	13.5/14.4	15/15	13.9/14.4	15/16.2	18.6/19	18.7/19.6	18.5/20	18.5/20
	5.2	Lifting Speed laden/unladen	mm/s	505/640	380/405	445/650	370/415	385/645	380/385	495/655	435/500	335/465	320/530	320/530
	5.3	Lowering Speed laden/unladen	mm/s	375/395	465/505	405/415	445/510	465/450	400/495	485/370	445/475	430/455	475/360	475/360
	5.5	Drawbar Pull Tractive E ort (at 2km/h) with/without load	KN	11.5/10.7	14.5/8.7	11.5/10.7	14.2/8.2	11.5/10.7	16/8.6	10 15	10 15	19.5/11.8	10 15	10 15
	5.7	Gradeability (at 2km/h) laden/unladen	%	20	20	20	20	20	20	20	20	20	20	20
	5.10'	Service Brake		Mechanical/hydraulic	Mechanical/hydraulic	Mechanical/hydraulic	Mechanical/hydraulic	Mechanical/hydraulic	Mechanical/hydraulic	Mechanical/hydraulic	Mechanical/hydraulic	Mechanical/hydraulic	Mechanical/Hydraulic	Mechanical/Hydraulic
Engine	7.1	Engine Manufacturer/Engine Type		ISUZU C240	XINCHAI 4N23G31	ISUZU C240	XINCHAI 4N23G31	ISUZU C240	XINCHAI 4N23G31	Mitsubishi S4S	ISUZU C240	Kholer KD11903TCR	XINCHAI C490BPG	WEICHAI WP3.2
		Emission Standard		EURO 3A	CHINA STAGE III	EURO 3A	CHINA STAGE III	EURO 3A	CHINA STAGE III	EURO 3A	EURO 3A	T4F/ EURO 3B	EURO 3A/BS III/ CN III	CHINA STAGE III
	7.2	Engine Power in compliance with ISO 1585	kW	34.3	30	34.3	30	34.3	30	35.3	34.3	42	36.8-40	36.8
	7.3	Rated Number of Revolutions	r/min	2500	2600	2500	2600	2500	2600	2250	2500	2600	2670	2500
	7.4	Cylinder Number/Displacement	cm	4/2369	4/2300	4/2369	4/2300	4/2369	4/2300	4/3331	4/2369	3/1861	4/2670	4/3170
7.9	On-board voltage	V	12	12	12	12	12	12	12	12	12	12	12	
Others	8.1	Drive Control Type		Electron Hydraulic	Mechanical	Electron Hydraulic	Mechanical	Electron Hydraulic	Mechanical Hydraulic	Electron Hydraulic	Electron Hydraulic	Electron Hydraulic	Mechanical/Hydraulic torque converter	
	10.4	Volume fuel tank	L/Kg	45/37	45/37	45/37	45/37	45/37	45/37	52/45	52/45	52/45	52/45	52/45
	10.8	Drawbar,model/Type DIN		Pin	Pin	Pin	Pin	Pin	Pin	Pin	Pin	Pin	Pin	Pin

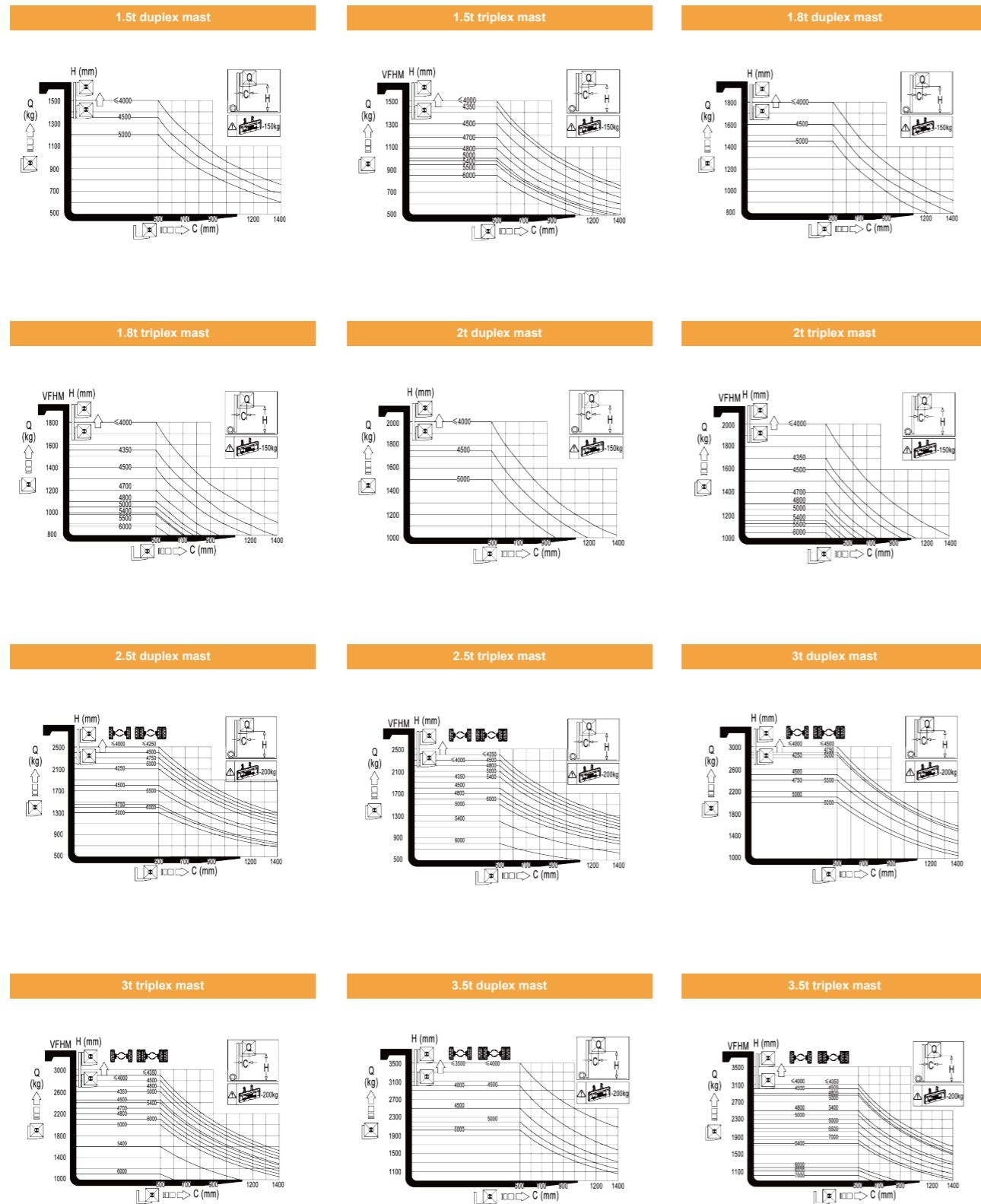


SPECIFICATIONS

	ITEM DESCRIPTION	UNIT	DESIGN VALUE											
			SFD30	SFD30	SFD30	SFD30	SFD30	SFD30	SFD30	SFD30	SFD35	SFD35	SFD35	SFD35
Speci cation	1.3 Power type: Electric-Diesel-Petrol-LPG-Network Power (Electric)		diesel	diesel	diesel	diesel	diesel	diesel	diesel	diesel	diesel	diesel	diesel	diesel
	1.4 Operation Type: Hand-stand on-Driver seated		Driver seated	Driver seated	Driver seated	Driver seated	Driver seated	Driver seated	Driver seated	Driver seated	Driver seated	Driver seated	Driver seated	Driver seated
	1.5 Load Capacity	Q(Kg)	3000	3000	3000	3000	3000	3000	3000	3000	3500	3500	3500	3500
	1.6 Load Barycenter Distance	C(mm)	500	500	500	500	500	500	500	500	500	500	500	500
	1.8 Axle centre to fork face	X(mm)	484	484	484	484	484	484	484	484	484	484	484	484
Weight	1.9 Wheel Base	Y(mm)	1700	1700	1700	1700	1700	1700	1700	1700	1700	1700	1700	1700
	2.1 Service Weight	kg	4400	4320	4460	4320	4260	4260	4260	4260	4880	4700	4700	4700
	2.2 Axle loading, laden front/rear	kg	6610/580	6400/860	6420/1000	6400/860	6460/800	6460/800	6460/800	6460/800	7300/1100	7080/1140	7080/1140	7080/1140
Wheels and tyres	2.3 Axle loading, unladen front/rear	kg	1820/2640	1700/2600	1720/2740	1700/2600	1700/2580	1700/2580	1700/2580	1700/2580	1640/3240	1480/3240	1480/3240	1480/3240
	3.1 Tyres: SE-Super elastic PN-Pneumatic		PN	PN	PN	PN	PN	PN	PN	PN	PN	PN	PN	PN
	3.2 Front Tyres Size		28 x 9-15-14PR	28 x 9-15-14PR	28 x 9-15-14PR	28 x 9-15-14PR	28 x 9-15-14PR	28 x 9-15-14PR	28 x 9-15-14PR	28 x 9-15-14PR	28 x 9-15-14PR	28 x 9-15-14PR	28 x 9-15-14PR	28 x 9-15-14PR
	3.3 Rear Tyres Size		6.50-10-10PR	6.50-10-10PR	6.50-10-10PR	6.50-10-10PR	6.50-10-10PR	6.50-10-10PR	6.50-10-10PR	6.50-10-10PR	6.50-10-10PR	6.50-10-10PR	6.50-10-10PR	6.50-10-10PR
	3.6 Front Track Width	b10 (mm)	1000	1000	1000	1000	1000	1000	1000	1000	1000	1000	1000	1000
Dimensions and Overall Sizes	3.7 Rear Track Width	b11 (mm)	970	970	970	970	970	970	970	970	970	970	970	970
	4.1 Mast lift,forward/backward	(/ad) Gr	6°/12°	6°/12°	6°/12°	6°/12°	6°/12°	6°/12°	6°/12°	6°/12°	6°/12°	6°/12°	6°/12°	6°/12°
	4.2 Mast Minimum Overall Height	h1(mm)	2080	2080	2080	2080	2080	2080	2080	2230	2230	2230	2230	2230
	4.3 Free lift	h2(mm)	145	145	145	145	145	145	145	145	145	145	145	145
	4.4 Lift height	h3(mm)	3000	3000	3000	3000	3000	3000	3000	3000	3000	3000	3000	3000
	4.5 Mast Maximum Overall Height	h4(mm)	4273	4273	4273	4273	4273	4273	4273	4273	4273	4273	4273	4273
	4.7 Overhead Guard Height	h6(mm)	2108	2090	2090	2090	2108	2108	2108	2108	2108	2108	2108	2108
	4.8 Seat Height	h7(mm)	1070	1070	1070	1070	1070	1070	1070	1085	1085	1085	1085	1085
	4.12 Drawbar Height	h10(mm)	300	300	300	300	300	300	300	300	300	300	300	300
	4.19 Overall Length	L1(mm)	3780	3780	3780	3780	3780	3780	3780	3780	3880	3880	3880	3880
	4.20' Lenght to Face of Forks	L2(mm)	2710	2710	2710	2710	2710	2710	2710	2710	2810	2810	2810	2810
	4.21 Overall Width	b1(mm)	1225	1225	1225	1225	1225	1225	1225	1225	1296	1296	1296	1296
	4.22 Fork Arms Dimensions	s/e/l(mm)	45/125/1070	45/125/1070	45/125/1070	45/125/1070	45/125/1070	45/125/1070	45/125/1070	45/125/1070	50/125/1070	50/125/1070	50/125/1070	50/125/1070
	4.23 Fork Carriage in Compliance with ISO 2328 Class/Form A,B		A	A	A	A	A	A	A	A	A	A	A	A
	4.24 Fork Carriage Width	b3(mm)	1100	1100	1100	1100	1100	1100	1100	1100	1100	1100	1100	1100
	4.31 Ground Clearance below Mast(laden)	m1(mm)	135	135	135	135	135	135	135	135	135	135	135	135
	4.32 Ground Clearance Centre of Wheelbase(laden)	m2(mm)	140	140	140	140	140	140	140	140	140	140	140	140
	4.34.1 Working aisle width with pallet 1000 x 1200 crossways****	Ast(mm)	4144	4144	4144	4144	4144	4144	4144	4144	4224	4224	4224	4224
	4.34.2 Working aisle width with pallet 800 x 1200 lengthways****	Ast(mm)	4344	4344	4344	4344	4344	4344	4344	4344	4424	4424	4424	4424
4.35 Turning Radius	Wa(mm)	2460	2460	2460	2460	2460	2460	2460	2460	2540	2540	2540	2540	
4.36 Turning Point Minimum Distance from the Truck Center Line	b13(mm)	810	810	810	810	810	810	810	810	810	810	810	810	
Performance	5.1 Drive Speed laden/unladen	km/h	16.5/17	18.9/19.5	18.7/19.6	18.5/20	19/20.5	19/20.5	20/20.5	16/17	19/20.5	20/20.5	20/20.5	20/20.5
	5.2 Lifting Speed laden/unladen	mm/s	520/595	435/500	435/475	400/430	450/480	480/540	480/540	560/585	450/480	385/440	385/440	385/440
	5.3 Lowering Speed laden/unladen	mm/s	475/390	445/475	440/425	450/400	470/430	440/455	440/455	490/395	470/430	475/430	475/430	475/430
	5.5 Drawbar Pull Tractive E ort (at 2km/h) laden/unladen	KN	10 15	10 15	19.2/13.4	10 15	10 15	16.2/14	16.2/14	16.2/14	10 16	10 17	16.2/14	16.2/14
	5.7 Gradeability (at 2km/h) laden/unladen	%	20	20	20	20	20	20	20	20	15	15	15	15
	5.10' Service Brake		Mechanical/ hydraulic	Mechanical/ hydraulic	Mechanical/ hydraulic	Mechanical/ hydraulic	Mechanical/ hydraulic	Mechanical/ hydraulic	Mechanical/ hydraulic	Mechanical/ hydraulic	Mechanical/ hydraulic	Mechanical/ hydraulic	Mechanical/ hydraulic	Mechanical/ hydraulic
Engine	7.1 Engine Manufacturer/Engine Type		Mitsubishi S4S	ISUZU C240	Kholer KD1903TCR	XINCHAI C490BPG	XINCHAI 498	WEICHAI WP3.2	WEICHAI WP3.2CR	Mitsubishi S4S	XINCHAI 498	WEICHAI WP3.2	WEICHAI WP3.2CR	
	Emission Standard		EURO 3A	EURO 3A	T4F/ EURO 3B	EURO 3A/BS III/CN III	CHINA STAGE III	CHINA STAGE III	CHINA STAGE III	EURO 3A	CHINA STAGE III	CHINA STAGE III	CHINA STAGE III	
	7.2 Engine Power in compliance with ISO 1585	kW	35.3	34.3	42	36.8-40	45	36.8	36.8	35.3	45	36.8	36.8	
	7.3 Rated Number of Revolutions	r/min	2250	2500	2600	2670	2500	2500	2500	2250	2500	2500	2500	
	7.4 Cylinder Number/Displacement	cm	4/3331	4/2369	3/1861	4/2670	4/3168	4/3170	4/3170	4/3331	4/3168	4/3170	4/3170	
	7.9 On-board voltage	V	12	12	12	12	12	12	12	12	12	12	12	
Others	8.1 Drive Control Type		Electron Hydraulic	Electron Hydraulic	Electron Hydraulic	Mechanical/Hydraulic torque converter				Electron Hydraulic	Mechanical/ Hydraulic torque converter			
	10.4 Volume fuel tank	L/Kg	52/45	52/45	52/45	52/45	52/45	52/45	52/45	52/45	52/45	52/45	52/45	
	10.8 Drawbar,model/Type DIN		Pin	Pin	Pin	Pin	Pin	Pin	Pin	Pin	Pin	Pin	Pin	

LOADING CHART

MAST SPECIFICATIONS



1.5T/ 1.8T/ 2.0T MAST SPECIFICATIONS									
Mast Type	Max height	Rated capacity			height		free-lift height		mast angle
		load center 500mm			closed	height with	without	with	
		1.5T	1.8T	2.0T	height	carriage	carriage	carriage	front/back
VM Standard wide-view	3000	1500	1800	2000	2002	4041	128	128	6/12
	3300	1500	1800	2000	2152	4341	128	128	
	4000	1500	1800	2000	2552	5041	128	128	6/8
	4500	1350	1600	1750	2802	5541	128	128	6/6
VFM Full free duplex	5000	1200	1450	1500	3052	6041	128	128	3/6
	3000	1500	1800	2000	2002	4041	1411	1001	6/12
	3500	1500	1800	2000	2152	4541	1561	1151	
VFHM Full free triplex	4000	1500	1800	2000	2552	5041	1961	1551	6/8
	4350	1450	1550	1700	2102	5391	1489	1101	
	4500	1300	1400	1600	2152	5541	1539	1151	6/6
	4700	1180	1200	1400	2217	5741	1604	1216	
	4800	1080	1100	1300	2252	5841	1639	1251	
	5000	1000	1050	1250	2395	6041	1782	1394	3/6
	5400	980	1000	1165	2595	6441	1982	1594	
	5500	950	980	1120	2629	6541	2016	1628	
6000	850	890	1000	2862	7041	2249	1861		

2.5T MAST SPECIFICATIONS									
Mast Type	Max height	Rated capacity		height		free-lift height		mast angle	
		2.5T	double tyres	closed	height with	without	with		
				height	carriage	carriage	carriage	front/back	
VM Standard wide-view	3000	2500		2080	4040	140	140	6/12	
	3300			2230	4340	140	140		
	3500			2330	4540	140	140		
	4000	2300	2500	2630	5040	140	140	6/8	
	4500	1800	2300	2880	5540	140	140	6/6	
	5000	1300	2200	3130	6040	140	140	3/6	
	5500	1200	1700	3430	6540	140	140		
VFM Full free	6000			3680	7040	140	140		
	3000	2500		2080	4040	1475	1080	6/12	
	3300			2230	4340	1570	1230		
	3500			2330	4540	1675	1330		
4000	2300	2500	2630	5040	1975	1630	6/8		
4500	1800	2300	2880	5540	2225	1880	6/6		
4000	2300		2005	5040	1375	1005			
VFHM Full free triplex	4350	2000	2400	2130	5390	1500	1130	6/6	
	4500	1800	2300	2180	5540	1550	1180		
	4700	1700	2200	2245	5740	1615	1245	6/6	
	4800	1700	2200	2280	5840	1650	1280		
	5000	1500	2100	2423	6040	1793	1423		
	5400	1200	2000	2623	6440	1993	1623	3/6	
	5500	1100	1800	2657	6540	2027	1657		
6000	800	1600	2890	7040	2260	1890			

REMARK:
THIS DATA WOULD BE CHANGED UNDER DIFFERENT WORKING CONDITION

MAST SPECIFICATIONS

3.0T MAST SPECIFICATIONS								
Mast Type	Max height	Rated capacity		height		free-lift height		mast angle
		load center 500mm		closed	height with	without	with	
		3T	double tyres	height	carriage	carriage	carriage	front/back
VM Standard wide-view	3000	3000		2080	4273	145	145	6/12
	3300			2230	4573	145	145	
	3500			2330	4773	145	145	
	4000	2900	3000	2630	5273	145	145	6/8
	4500	2500	2800	2880	5773	145	145	6/6
	5000	2000	2700	3130	6273	145	145	3/6
	5500	/	2400	3430	6773	145	145	
	6000	/	2400	3680	7273	145	145	
	VFM Full free duplex	3000	3000		2080	4273	1422	852
3300		2230			4573	1572	1002	
3500		2330			4773	1672	1102	
4000		2900	3000	2630	5273	1972	1402	6/8
4500		2500	2800	2880	5773	2222	1652	6/6
VFHM Full free triplex	4000	2800		2005	5273	1376	777	6/6
	4350	2600	2900	2130	5623	1501	902	
	4500	2450	2800	2180	5773	1551	952	
	4700	2300	2700	2245	5973	1616	1017	
	4800	2200	2700	2280	6073	1651	1052	
	5000	2000	2600	2423	6273	1794	1195	
	5400	1600	2400	2623	6673	1994	1395	3/6
	5500	1600	2250	2657	6773	2028	1429	
	6000	1100	2100	2890	7273	2261	1662	
	7000	/	2000	/	/	/	/	

3.5T MAST SPECIFICATIONS									
Mast Type	Max height	Rated capacity		height		free-lift height		mast angle	
		load center 500mm		closed	height with	without	with		
		3.5T	double tyres	height	carriage	carriage	carriage	front/back	
VM Standard wide-view	3000	3500		2230	4273	145	145	6/12	
	3300			2380	4573	145	145		
	3500			2480	4773	145	145		
	4000	3200	3400	2780	5273	145	145	6/8	
	4500	2600	3000	3030	5773	145	145	6/6	
	5000	2100	2850	3280	6273	145	145	3/6	
	5500	/	2400	3580	6773	145	145		
	VFM Full free	3000	3500		2080	4273	1422	952	6/12
		3300			2230	4573	1572	1002	
3500		2330			4773	1672	1102		
4000		3200	3400	2630	5273	1972	1402	6/8	
4500		2600	3000	2880	5773	2222	1652	6/6	
VFHM Full free triplex	4000			2005	5273	1376	777	6/6	
	4350	3000	3000	2130	5623	1501	902		
	4500	3000	3000	2180	5773	1551	952		
	4700	2500	2900	2245	5973	1616	1017		
	4800	2500	2900	2280	6073	1651	1052		
	5000	2400	2850	2423	6273	1794	1195		
	5400	1750	2500	2623	6273	1994	1395	3/6	
	5500	1750	2500	2657	6673	2028	1429		
	6000	1200	2200	2890	7273	2261	1662		
	7000	/	2000	/	/	/	/		

REMARK:
THIS DATA WOULD BE CHANGED UNDER DIFFERENT WORKING CONDITION

GROUP PRODUCTS



REMARK:
THIS DATA WOULD BE CHANGED UNDER DIFFERENT WORKING CONDITION