

SHANTUI

SG27-C5

Motor Grader



Engine Model: Weichai WP7G270E301
Gross Power: 199kW @ 2200rpm
Operating Weight: 18,500kg

We Level Subgrade Fast and Flat
easy operation and maintenance

SG27-C5 SPECIFICATIONS

ENGINE

| | |
|------------------------|---|
| Model | Weichai WP7G270E301 |
| Number of cylinders | 6 |
| Type | 4-cycle, Electronic Injection, Water-cooled |
| Bore x stroke | 108*136mm |
| Displacement | 7.47L |
| Gross power | 199kW @ 2200rpm |
| Max. traction | 99kN |
| Max. torque | 1100N.m @ 1300-1500rpm |
| Rated fuel consumption | 220g/kW.h |
| Emission | China-III |

POWER TRAIN

| | |
|------------------|--|
| Transmission | Fixed-axis type, electro-hydraulic control |
| Torque converter | Single-stage, single-phase, three basic elements |
| Rear axle | Modular, planetary reduction, "no-Spin" anti-skid differential |
| Tandem drive | Roller chain. Oscillating angle: ±15° |
| Tire | 20.5-25PR16 |
| Front axle | Oscillating angle: ±15° Tilting angle: ±17° |

STEERING

| | |
|----------------------------|--------|
| Front wheel steering angle | ±45° |
| Articulation angle | ±25° |
| Min. turning radius | 8600mm |

BRAKES

| | |
|---------------|--|
| Service brake | Drum type, foot operated, single circuit, hydraulically actuated on four tandem wheels |
| Parking brake | Drum type, manually actuated |

MOLDBOARD

| | |
|----------------------------------|-------------|
| Rotation | 360° |
| Moldboard width | 3965mm |
| Moldboard height | 635mm |
| Moldboard thickness | 20mm |
| Moldboard tip angle | 27~73° |
| Max. cutting depth | 500mm |
| Max. lifting height | 510mm |
| Max. shoulder reach (left/right) | 2355/2410mm |
| Max. tilting angle (left/right) | ±90° |

SPEED

| | |
|--------------|----------------------------------|
| Forward, 1-6 | 5.8\10.0\13.2\22.7\28.5\46.9km/h |
| Reverse, 1-3 | 5.8\13.2\28.5km/h |

HYDRAULICS

| | |
|-------------------------------|-------------------|
| Tandem pump | Gear pump, 28ml/r |
| Overflow pressure for working | 18MPa |

CAPACITIES

| | |
|--------------------|------|
| Fuel tank | 340L |
| Hydraulic oil tank | 110L |
| Engine crank case | 19L |
| Engine coolant | 33L |

ELECTRICAL SYSTEM

| | |
|---------------|--------------|
| Battery | 2x12V, 105Ah |
| Alternator | 28V, 70A |
| Starter motor | 24V, 6kW |

OPERATING WEIGHT

| | |
|--------------------------------|---------|
| Standard | 18500kg |
| With rear ripper | 18800kg |
| With front blade | 19100kg |
| With front blade & rear ripper | 19400kg |

RIPPER (OPTIONAL)

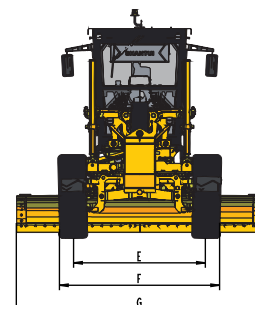
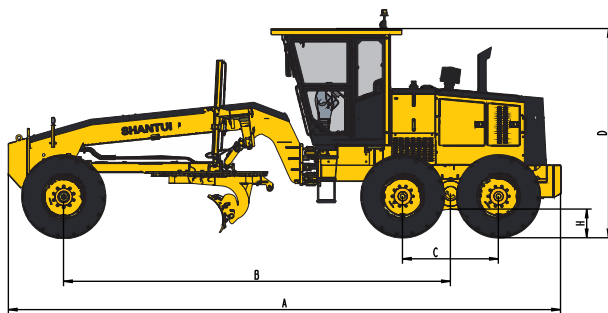
| | |
|-----------------------|--------|
| Ripping depth | 320mm |
| Shank supports | 5 |
| Shank support spacing | 500mm |
| Working width | 2085mm |

FRONT BLADE (OPTIONAL)

| | |
|---------------------|------------|
| Width x Height | 2740x930mm |
| Thickness | 10mm |
| Max. lifting height | 500mm |
| Max. digging depth | 210mm |

DIMENSIONS

| | |
|--|---------|
| A Overall length: Standard | 9445mm |
| A Overall length: With rear ripper | 10050mm |
| A Overall length: With front blade | 10440mm |
| A Overall length: With front blade & rear ripper | 11040mm |
| B Length: Front axle to mid tandem | 6560mm |
| C Length: Between tandem axles | 1720mm |
| D Height: Cab | 3560mm |
| E Tread | 2270mm |
| F Width: Outside tires | 2790mm |
| G Moldboard width | 3965mm |
| H Minimum ground clearance | 500mm |



* THE SPECIFICATIONS ARE SUBJECT TO CHANGE WITHOUT NOTICE. THE PICTURES MAY INCLUDE OPTIONS. THE ACTUAL COLOR & APPEARANCE OF THE PRODUCT MAY DIFFER FROM WHAT IS SHOWN.



Shantui Social

SHANTUI CONSTRUCTION MACHINERY CO., LTD.
 ADD: No. 58, G327 Highway, Jining City, Shandong, CHINA
 TEL: +86-537-2909369
 FAX: +86-537-2311219
 EMAIL: trade@shantui.com
 WEB: www.shantui.com

SHANTUI
 LET'S MAKE CONSTRUCTION EASIER