

SHANTUI

SE36SR

Mini Excavator



Engine Model: YANMAR 3TNV88F
Gross Power: 24.41hp(18.2kW/2200rpm)
Operating Weight: 8378lbs(3800kg)

High Performance in a Compact Design

SE36SR SPECIFICATIONS

ENGINE

Model	YANMAR 3TNV88F
Type	Three cylinder direct injection
No. of cylinder	3
Emission	EPA Tier 4 Final/Europe Stage V
Displacement	100.2cu.in(1.642L)
Power output	24.41hp(18.2kW/2200rpm)

HYDRAULIC SYSTEM

Type	Variable plunger pump
Max. hydraulic flow	25.6gal/min(96.8L/min)

DIGGING FORCE (ISO6015)

Bucket digging force	6834lbf(30.4kN)
Arm digging force	4092lbf(18.2kN)

BUCKET

Type	Backhoe bucket
Bucket capacity	0.16cu.yd(0.12m ³)
Bucket width	25.6in.(650mm)

DRIVE SYSTEM

Carrier roller qty	1x2
Track roller qty	2x4
Track shoes	2x44
Travel speed	1.5/2.7mph(2.4/4.4 km/h)
Ground clearance	11.6in.(295mm)
Grade ability	≤30°

SWING SYSTEM

Swing speed	0-9r/min
-------------	----------

REFILLING CAPACITIES & LUBRICATIONS

Fuel tank	13.2gal(50L)
Cooling system	1.85gal(7L)
Engine oil	1.8gal(6.7L)
Hydraulic oil tank	10.6gal(40L)
System Capacity	10.6gal(40L)

OPERATING WEIGHT AND GROUND PRESSURE

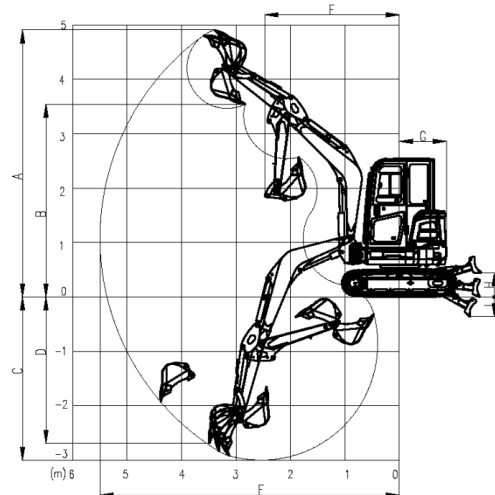
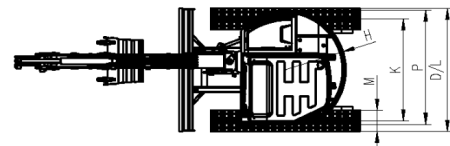
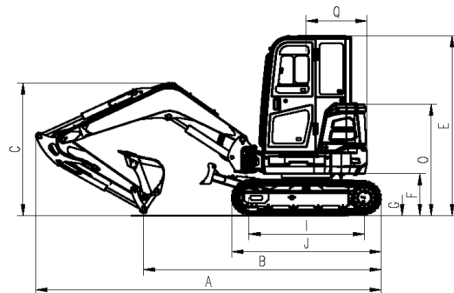
Shoe width	11.8in.(300mm)
Ground pressure	4.64psi(32kPa)
Operating weight	8378lbs(3800kg)

WORKING RANGE

A	Max. digging height	193.3in.(4910mm)
B	Max. dumping height	139.6in.(3545mm)
C	Max. digging depth	121.1in.(3075mm)
D	Max. vertical digging depth	104.9in.(2640mm)
E	Max. Depth cut for 2500mm Level Bottom	-
F	Max. digging distance	218.5in.(5500mm)
G	Max. digging radius at ground level	211.6in.(5345mm)
H	Maximum Dozer Lift Height	14.8in.(375mm)
I	Maximum Dozer Dig Depth	14.6in.(370mm)

DIMENSIONS (Boom: 100in.(2540mm) 55.1in.(1400mm))

A	Overall length	192.1in.(4880mm)
B	Ground contact length (Transportation)	132.3in.(3360mm)
C	Overall height(to top of boom)	74in.(1880mm)
D	Overall width	68.5in.(1740mm)
E	Overall height(to top of cab)	100.4in.(2550mm)
F	Counter weight ground clearance	23.4in.(595mm)
G	Ground clearance	11.6in.(295mm)
H	Tail swing radius	33.9in.(860mm)
I	Crawler wheel base	65.8in.(1670mm)
J	Track length	84.8in.(2155mm)
K	Track gauge	56.7in.(1440mm)
L	Track width	68.5in.(1740mm)
M	Shoe width	11.8in.(300mm)
O	Bonnet height	61.02in.(1550mm)
P	Revolving frame width	61.02in.(1550mm)
Q	Distance from swivel center to tail	33.9in.(860mm)



* THE SPECIFICATIONS ARE SUBJECT TO CHANGE WITHOUT NOTICE. THE PICTURES MAY INCLUDE OPTIONS. THE ACTUAL COLOR & APPEARANCE OF THE PRODUCT MAY DIFFER FROM WHAT IS SHOWN.



Shantui Social

SHANTUI CONSTRUCTION MACHINERY CO., LTD.

ADD: No. 58, G327 Highway, Jining City, Shandong, CHINA

TEL: +86-537-2909369

FAX: +86-537-2311219

EMAIL: trade@shantui.com

WEB: www.shantui.com

SHANTUI

LET'S MAKE CONSTRUCTION EASIER