

# SHANTUI

## SE27SR

Mini Excavator



Engine Model: YANMAR 3TNV80F  
Gross Power: 14.6kW/2400rpm  
Operating Weight: 2,800kg

High Performance in a Compact Design

# SE27SR SPECIFICATIONS

## ENGINE

Model	YANMAR 3TNV80F
Type	Vertical, water cool, 4-cycle
No. of cylinder	3
Emission	EPA Tier 4 Final/Europe Stage V
Displacement	1.267L
Power output	14.6kW/2400rpm

## HYDRAULIC SYSTEM

Type	Variable plunger pump
Max. hydraulic flow	95L/min

## DIGGING FORCE (ISO6015)

Bucket digging force	24kN
Arm digging force	14.8kN

## BUCKET

Type	Backhoe bucket
Bucket capacity	0.065m <sup>3</sup>
Bucket width	460mm

## DRIVE SYSTEM

Type	Axial piston motor
Track roller	2×3
Track shoes	2×42
Travel speed	2/3.1km/h
Max. Drawbar pull	29kN
Grade ability	≤30°

## SWING SYSTEM

Swing motor type	Cycloidal motor
Swing speed	0-10r/min
Brake type	Pressure release mechanical braking

## REFILLING CAPACITIES & LUBRICATIONS

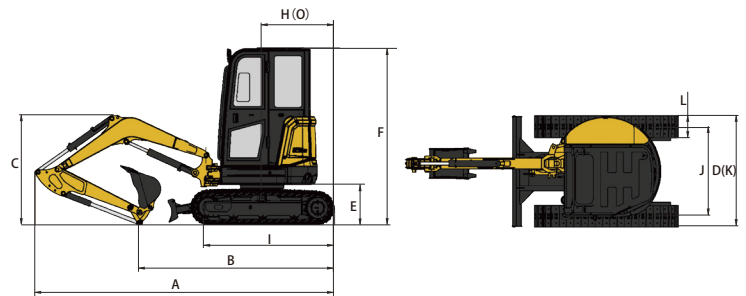
Fuel tank	33L
Cooling system	5L
Engine oil	3.4L
Hydraulic oil tank	22L

## OPERATING WEIGHT AND GROUND PRESSURE

Shoe width	300mm
Ground pressure	27.3kPa
Operating weight	2800kg

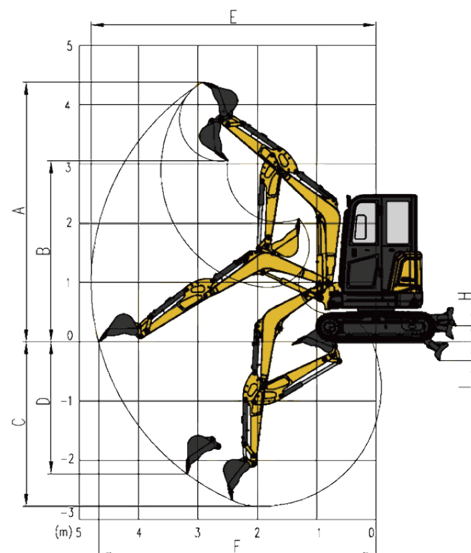
## DIMENSIONS

	mm	
A	Transport Length (arm lowered)	4200
B	Ground contact length (Transportation)	2770
C	Overall height(to top of boom)	1105
D	Overall width	1550
E	Counter weight ground clearance	575
F	Overall height(to top of cab)	2480
H	Tail swing radius	775
I	Crawler wheel base	1560
J	Track gauge	1250
K	Track width	1550
L	Shoe width	300



## WORKING RANGE

	mm	
A	Max. digging height	4390
B	Max. dumping height	3060
C	Max. digging depth	2800
D	Max. vertical digging depth	2310
E	Max. digging radius	4800
F	Max. digging radius, at ground level	4680
G	Min. tail swing radius	775
H	Maximum Dozer Lift Height	300
I	Maximum Dozer Dig Depth	320



\* THE SPECIFICATIONS ARE SUBJECT TO CHANGE WITHOUT NOTICE. THE PICTURES MAY INCLUDE OPTIONS. THE ACTUAL COLOR & APPEARANCE OF THE PRODUCT MAY DIFFER FROM WHAT IS SHOWN.



Shantui Social

**SHANTUI CONSTRUCTION MACHINERY CO., LTD.**  
 ADD: No. 58, G327 Highway, Jining City, Shandong, CHINA  
 TEL: +86-537-2909369  
 FAX: +86-537-2311219  
 EMAIL: trade@shantui.com  
 WEB: www.shantui.com

**SHANTUI**  
 LET'S MAKE CONSTRUCTION EASIER