

SHANTUI

SRD14-C6

Tandem Roller



Engine Model: Cummins QSB4.5-C160-30
Gross Power: 119kW @ 2200rpm
Operating Weight: 14,000 kg

Superior asphalt compaction quality
road construction expert

SRD14-C6 SPECIFICATIONS

ENGINE

Model	Cummins QSB4.5-C160-30
Number of Cylinders	4
Type	4-cycle, Water-cooled
Aspiration	Turbocharged
Bore X Stroke	107x124mm
Displacement	4.5L
Gross Power	119kW @ 2200rpm
Max. Torque	624N.m @ 1500rpm
Rated Fuel Consumption	224g/kW.h
Emission	China-III

POWER TRAIN

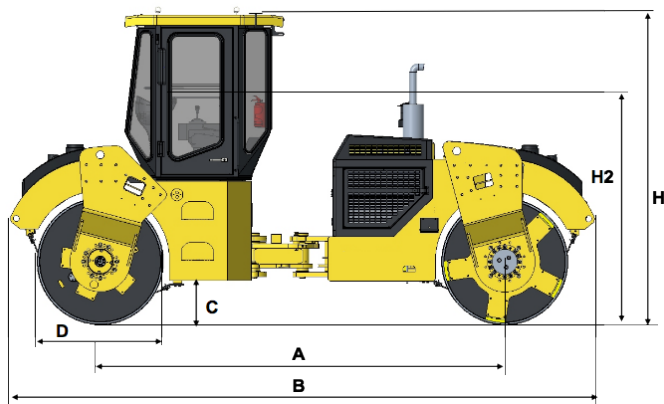
Driving Pump	Variable Piston Pump
Driving Motor	Variable Piston Motor
Vibration Pump	Variable Piston Pump
Vibration Motor	Constant Piston Pump
Max. Grade Ability	35%

DRUM (FRONT/REAR)

Width	2130mm
Diameter	1300mm
Drum Shell Thickness	19mm
Frequency, High	50Hz
Frequency, Low	40Hz
Amplitude, High	0.8mm
Amplitude, Low	0.35mm
Centrifugal Force, Maximum	140kN
Centrifugal Force, Minimum	90kN

STEERING

Type	Hydraulic Power, Articulated Steering
Steering Angle	±30°
Oscillating Angle	±5°
Min. Turning Radius	6700mm



BRAKES

Service Brake	Hydraulic Brake
Parking Brake	Multi-disc Brake
Emergency Brake	Hydraulic Brake

SPEED

Forward,1-2	0-6.0/0-11.0km/h
Reverse,1-2	0-6.0/0-11.0km/h

CAPACITIES

Fuel Tank	60L
Hydraulic Oil Tank	230L
Engine Crank Case	18L
Drum	22L
Sprinkle Water Tank	900L
Coolant	27L

ELECTRICAL SYSTEM

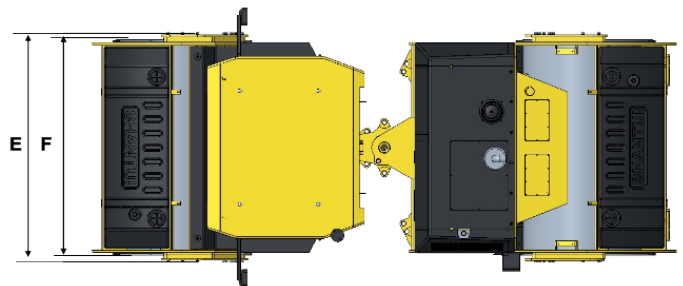
Battery	2X12V,70Ah
Alternator	24V 70A
Starter Motor	24V, 6KW

WEIGHT

Operating Weight	14000kg
Front Drum Load	7000kg
Rear Drum Load	7000kg
Static Linear Load (Front Drum)	322N/cm
Static Linear Load (Rear Drum)	322N/cm

DIMENSIONS

A	3700mm
B	5100mm
C	260mm
D	1300mm
E	2280mm
F	2130mm
H	3260mm
H2	2230mm



* THE SPECIFICATIONS ARE SUBJECT TO CHANGE WITHOUT NOTICE. THE PICTURES MAY INCLUDE OPTIONS. THE ACTUAL COLOR & APPEARANCE OF THE PRODUCT MAY DIFFER FROM WHAT IS SHOWN.

SHANTUI CONSTRUCTION MACHINERY CO., LTD.

ADD: No. 58, G327 Highway Jining City, Shandong, CHINA

TEL: +86-537-2909369

FAX: +86-537-2311219

EMAIL: trade@shantui.com

WEB: www.shantui.com

SHANTUI
LET'S MAKE CONSTRUCTION EASIER