

SRT26H-C6

SHANTUI
VALUE THAT WORKS

ROLLER
SERIES

ENGINE MODEL	WEICHAİ WP4.6N
GROSS POWER	147kW @ 2000rpm
OPERATING WEIGHT	26000kg

LET'S MAKE
CONSTRUCTION EASIER



SHANTUI CONSTRUCTION MACHINERY CO., LTD.
ADDRESS: No. 58, G327 Highway, Jining City, Shandong, CHINA
TEL: +86-537-2909369 FAX: +86-537-2311219
EMAIL: trade@shantui.com WEB: www.shantui.com



www.shantui.com

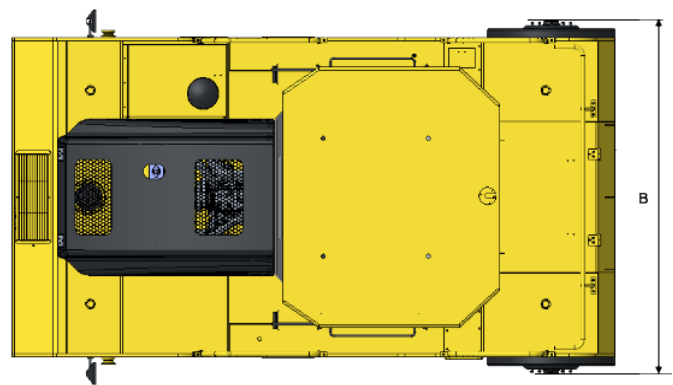
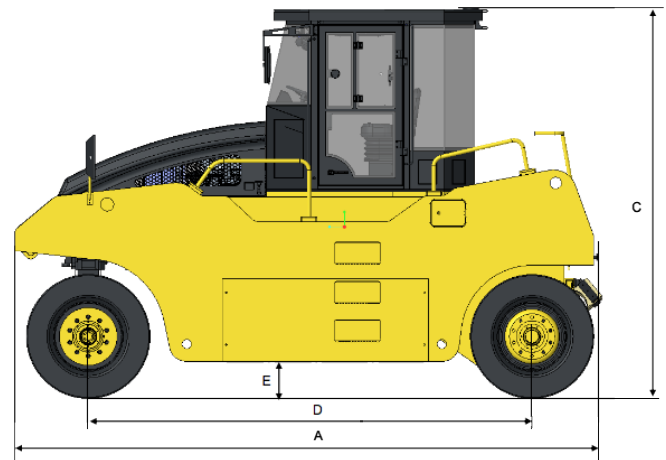
SRT26H-C6 TECHNICAL PARAMETERS

ROLLER SERIES

SHANTUI
VALUE THAT WORKS

ENGINE	SRT26H-C6
Model	Weichai WP4.6N
Number of Cylinders	4
Type	4-cycle, Water-cooled
Aspiration	Turbocharged
Bore x Stroke	108x125mm
Displacement	4.58L
Gross Power	147kW @ 2000rpm
Max. Torque	820N.m @ 1400-1600rpm
Emission	Tier 3
Air Cleaner	Dry type
POWER TRAIN	SRT26H-C6
Type	Hydraulic Power, Rear-wheel Drive
Pump	Plunge Pump
Motor	Plunge Motor
Max. grade ability	22%
STEERING	SRT26H-C6
Type	Hydraulic
Steering Angle	±30°
Min. Turning Radius	8330mm
BRAKES	SRT26H-C6
Service Brake	Hydraulic Brake
Parking Brake	Hydraulic Brake
Emergency Brake	Hydraulic Brake
TIRE	SRT26H-C6
Type	11.0-20.0
Number of Tires	Front 5, Rear 6
Wheel Track Overlap	50mm
Working Width	2750mm
Tire Distance	490mm
Ground Pressure	200-420KPa
Swing Distance of Front Tire	±50mm
SPEED	SRT26H-C6
Forward,1	0-6km/h
Forward,2	0-13km/h
Reverse,1	0-6km/h
Reverse,2	0-13km/h
CAPACITIES	SRT26H-C6
Fuel Tank	170L
Hydraulic Oil Tank	60L
Coolant	22L
Engine Crank Case	13L
Sprinkle Water Tank	630L

ELECTRICAL SYSTEM	SRT26H-C6
Battery	2X12V
Alternator	28V, 80A
Starter Motor	24V, 4.5kW
WEIGHT	SRT26H-C6
Max. Operating Weight	26000kg
Metal ballast	9400kg
Average Wheel Load	2360kg



DIMENSIONS	SRT26H-C6
A	4920mm
B	2915mm
C	3410mm
D	3840mm
E	375mm