

SHANTUI

SSL1230KHF

Skid Steer Loader



Engine Model: Kubota V3600-T
Power: 55kW/ 2500rpm
Operating Weight: 3,500kg
Bucket Capacity: 0.54m³

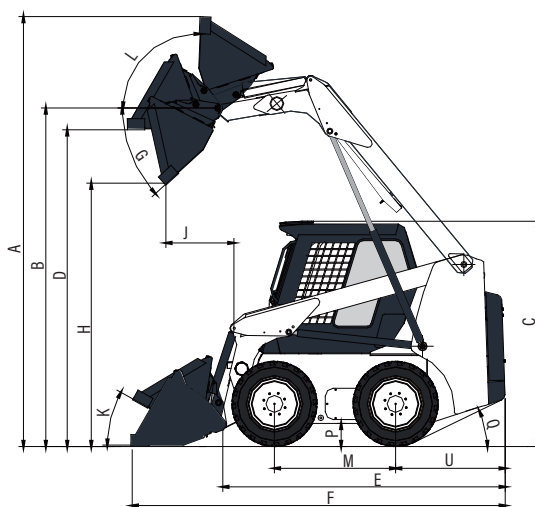
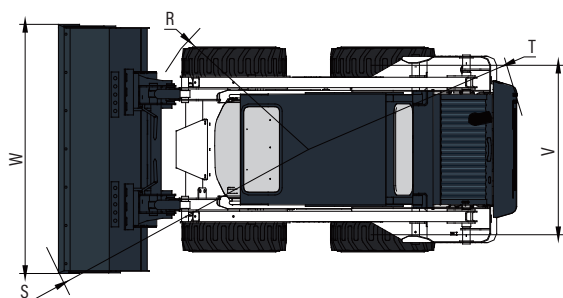
Let's make construction easier

SSL1230KHF SPECIFICATIONS

	UNIT	SSL1230KHF
MAIN SPECIFICATION		
Engine Model		Kubota V3600-T
Emission Standard		Nation II
Rated Power	kW/rpm	55/2500
Operating Weight	kg	3500
Rated Payload	kg	1200
Bucket Capacity	m ³	0.54
L×W×H	mm	3460×1820×2000
ENGINE SYSTEM		
Engine Model		Kubota V3600-T
Rated Power	kW/hp\rpm	55/75\2500
Displacement	L	3.168
Stroke	mm	98
Bore	mm	105
WEIGHTS		
Operating Weight	kg	3500
POWER TRAIN		
Travel Speed -F&R(unload)	km/h	11.8
TIRE		
Tyre		12×16.5
HYDRAULIC SYSTEM		
Hydraulic Flow - Standard	L/min\rpm	91
Loader Hydraulic Pressure	MPa	21
Hydraulic Flow - High Flow	L/min\rpm	135
Loader Hydraulic Pressure	MPa	19
OPERATING SPEC		
Rated Payload	kg	1200
Tipping Load	kg	2460
Breakout Force	kN	28.06
Traction Force	kN	25.9

SERVICE REFILL CAPACITY		
Chain Box, Each Side	L	9
Cooling System	L	12
Engine Crankcase	L	9
Fuel Tank	L	91
Hydraulic Tank	L	65

DIMENSIONS		
	UNIT	SSL1230KHF
A	Max.Operation Height	mm 3880
B	Bucket Pin Height	mm 3060
C	Cab Roof Height	mm 2000
D	Max.Height at Bucket Leveled	mm 2870
E	Length without Attachment	mm 2530
F	Length with Standard Bucket	mm 3460
H	Dumping Height	mm 2440
J	Reach Rollback	mm 610
M	Wheelbase	mm 1080
P	Ground Clearance	mm 180
R	Front Turning Radius without Attachment	mm 1180
S	Front Turning Radius	mm 2050
T	Rear Turning Radius	mm 1580
U	Tail Length	mm 980
V	Center Distance between Two Wheels	mm 1320
W	Bucket Width	mm 1820
G	Dumping Angle at Max.Height	° 40
K	Bucket Angle on Ground	° 29
L	Bucket Rollback Angle At Max.Height	° 96
Q	Start Angle	° 28



* THE SPECIFICATIONS ARE SUBJECT TO CHANGE WITHOUT NOTICE. THE PICTURES MAY INCLUDE OPTIONS. THE ACTUAL COLOR & APPEARANCE OF THE PRODUCT MAY DIFFER FROM WHAT IS SHOWN.



Shantui Social

SHANTUI CONSTRUCTION MACHINERY CO., LTD.
 ADD: No. 58, G327 Highway, Jining City, Shandong, CHINA
 TEL: +86-537-2909369
 FAX: +86-537-2311219
 EMAIL: trade@shantui.com
 WEB: www.shantui.com

